



**AMROCK**

"Do More With Less..."



ECS 15-26



ECS 26-38



ECS 36-52



ECS 50-75



ECS 75-100



ECS 100-135



ECS 135-170

## AMROCK EXCLUSIVE SINGLEWAY CABLE CLAMP

**AMROCK ECS cable clamps** are specially designed for short-circuit resistant fastening of single or multicore medium and high voltage cables. These are available in 7 models and suitable for cables with a diameter from 15 mm to 170 mm.

**AMROCK ECS cable clamps** are unique in their kind. The surfaces wherein the cables come to lie ensure perfect pressure distribution and maximum grip on the cables without sharp edges. In this way, there is no point load on the cables and the cables are not damaged. These cable clamps are manufactured from the highest quality, glass fibre reinforced polyamide and are therefore ideally suited for installations where very high short circuit forces may occur.

The unique raw material used in manufacturing these cable clamps, makes them resistant to corrosion, ozone, frost, heat, oil, acids, salts, aggressive chemicals, UV and nuclear radiation. There is no reduction in force within temperatures from  $-40^{\circ}\text{C}$  to  $+125^{\circ}\text{C}$ . ( $225^{\circ}\text{C}$  momentarily).

**AMROCK ECS cable clamps** are used worldwide and are therefore available from stock. They can also be supplied with appropriate fastening material.



**AMROCK**  
"Do More With Less..."

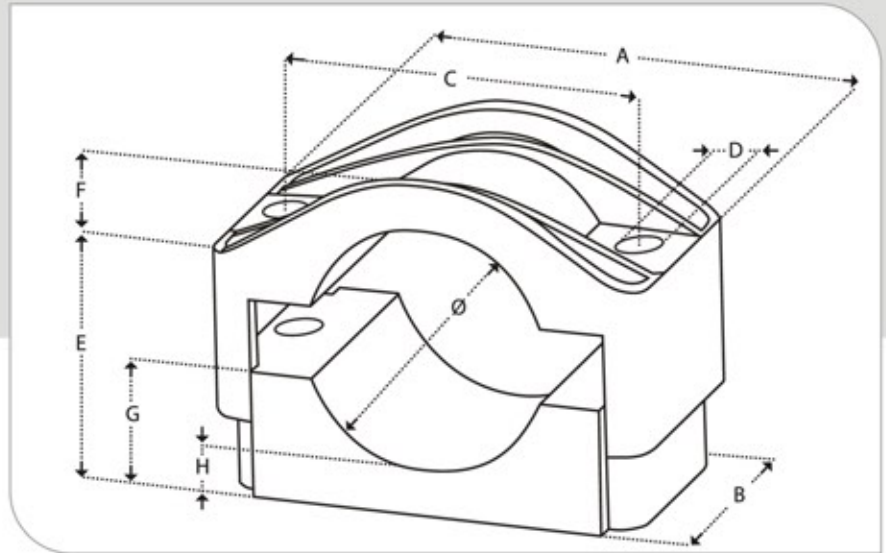
807, Safal Prelude, Corporate Road,  
Prahald Nagar, Ahmedabad - 380015.  
T : +91 79 40098001 | F : +91-79 40098002

E : [info@amrock.in](mailto:info@amrock.in) | W : [www.amrock.in](http://www.amrock.in)



**AMROCK**

"Do More With Less..."



Certified in accordance with the NEN-ENIEC 61914:2009 international safety standard

#### The design

By way of the specific unique model, each type of cable clamp provides an exact fit for the required short-circuit resistant installation.

#### The raw material

AMROCK cable clamps are produced from high-quality virgin raw materials, with glass fibre reinforced polyamide as the main ingredient. These cable clamps are self-extinguishing and halogen free.

#### Robustness

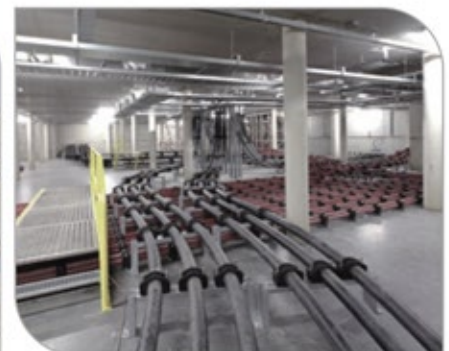
Owing to the unique design combined with the specific composition of the raw materials, these plastic cable clamps are among the strongest in the world. They are specially designed to withstand the enormous forces that occur during short circuiting and have been tested by various laboratories.

Dimensions in mm.

Type	cable Ø	A	B	C	D	E	F	G	H
ECS 15-26	15-26	77	45	50	10	26-42	4	17	8
ECS 26-38	26-38	92	60	60	12	33-49	7	18	7
ECS 36-52	36-52	105	60	75	12	39-55	15	23	8
ECS 50-75	50-75	126	60	95	12	46-71	22	30	9
ECS 75-100	75-100	200	80	150	15	70-95	32	45	10
ECS 100-135	100-135	225	85	175	15	85-120	43	58	10
ECS 135-170	135-170	260	90	210	15	133-169	62	90	28

## ADVANTAGES

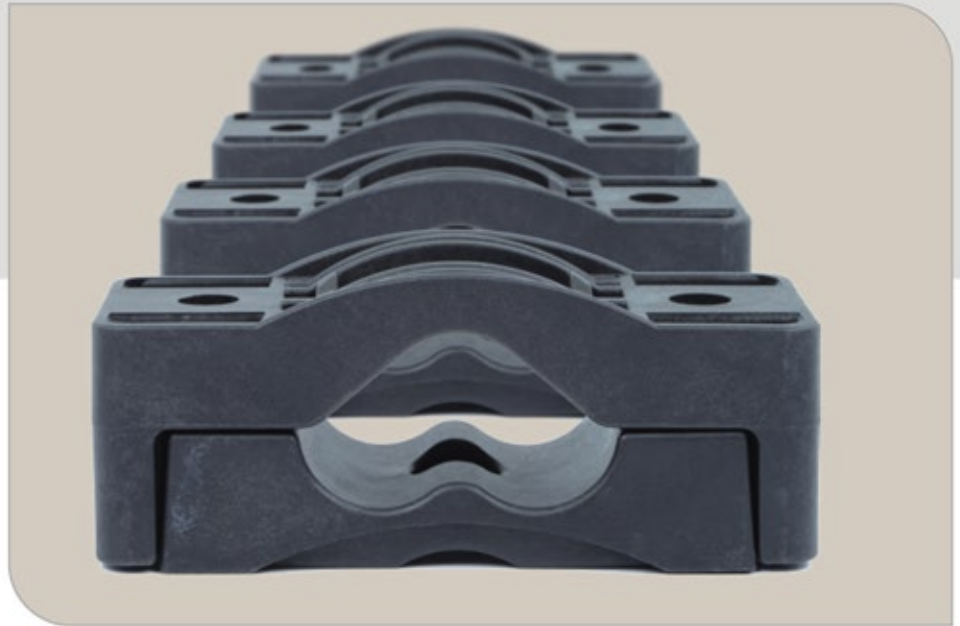
- » Resistant to short-circuit currents up to 202 Ka.
- » Resistant to oils, fats, aggressive chemicals, frost, heat, UV, ozone, salt, moisture, acids, and nuclear radiation.
- » Self-extinguishing V-0 (UL94), Halogen free.
- » Temperature range from -40 °C to 125°C. (225°C momentarily).
- » Coloured black.
- » No magnetism / conductivity.
- » Custom mounting available.
- » Fastening materials can be supplied to size.
- » No oxidation / corrosion.
- » No sharp angles.
- » Recyclable.
- » Lifetime warranty.
- » Very simple installation.
- » Available worldwide.
- » Certified in accordance with NEN-EN-IEC 61914:2009.





**AMROCK**

"Do More With Less..."



ECT 27-38



ECT 38-51



ECT 51-69



ECT 69-90



ECT 90-118



ECT 118-150

## AMROCK EXCLUSIVE TREFOIL CABLE CLAMP

**AMROCK EXCLUSIVE TREFOIL CABLE CLAMPS** are specially designed for short-circuit resistant fastening of cables in trefoil applications. These are available in 6 models and suitable for cables with a diameter from 27 mm to 150 mm.

**AMROCK EXCLUSIVE TREFOIL CABLE CLAMPS** are unique in their kind. The surfaces wherein the cables come to lie ensure perfect pressure distribution and maximum grip on the cables without sharp edges. In this way, there is no point load on the cables and the cables are not damaged. The cable clamps are also stackable. These cable clamps are manufactured from the highest quality glass fibre reinforced polyamide and are therefore ideally suited for installations where high short circuit forces may occur.

The unique raw material used in manufacturing these cable clamps, makes them resistant to corrosion, ozone, frost, heat, oil, acids, salts, aggressive chemicals, UV and nuclear radiation. There is no reduction in force within temperatures from  $-40^{\circ}\text{C}$  to  $+125^{\circ}\text{C}$  (momentarily up to  $225^{\circ}\text{C}$ ).

These **CLAMPS** are used worldwide and are therefore available from stock. They can also be supplied with appropriate fastening material.



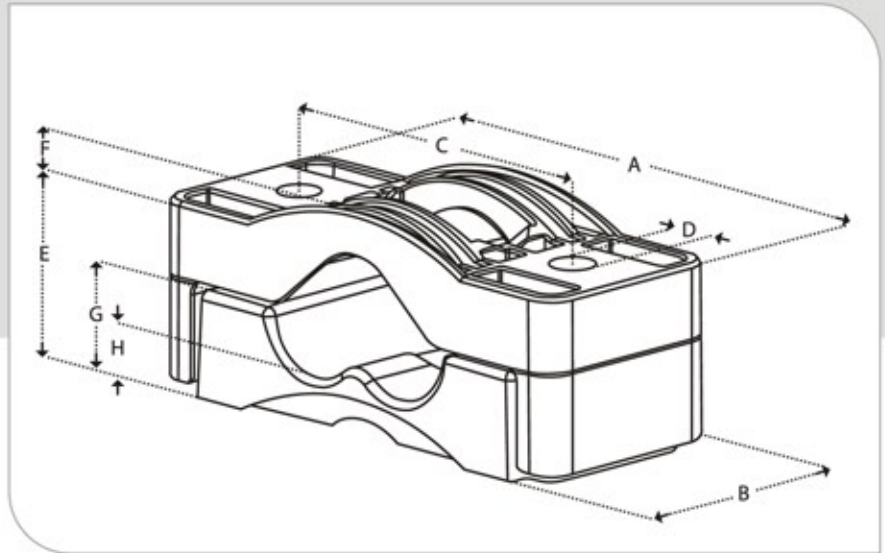
807, Safal Prelude, Corporate Road,  
Prahald Nagar, Ahmedabad - 380015.  
T : +91 79 40098001 | F : +91-79 40098002

E : [info@amrock.in](mailto:info@amrock.in) | W : [www.amrock.in](http://www.amrock.in)



**AMROCK**

"Do More With Less..."



Certified in accordance with the NEN-ENIEC 61914:2009 international safety standard

#### The design

By way of the specific unique model, each type of cable clamp provides an exact fit for the required short-circuit resistant installation.

#### The raw material

AMROCK cable clamps are produced from high-quality virgin raw materials, with glass fibre reinforced polyamide as the main ingredient. These cable clamps are self-extinguishing and halogen free.

#### Robustness

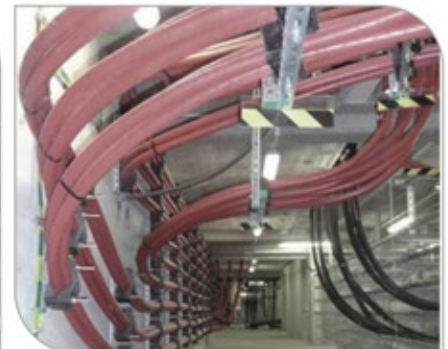
Owing to the unique design combined with the specific composition of the raw materials, these plastic cable clamps are among the strongest in the world. They are specially designed to withstand the enormous forces that occur during short circuiting and have been tested by various laboratories.

Dimensions in mm.

Type	cable ø	A	B	C	D	E	F	G	H
ECT 27-38	3x 27-38	180	75	125	15.5	63	12	35	16.5
ECT 38-51	3x 38-51	195	80	145	15.5	84	16	45	20
ECT 51-69	3x 51-69	220	85	170	15.5	109	21	58	26
ECT 69-90	3x 69-90	252	90	215	15.5	134	29	72	30
ECT 90-118	3x 90-118	321	100	270	15.5	180	27	89	33
ECT 118-150	3x 118-150	400	110	340	15.5	211	37	110	75

## ADVANTAGES

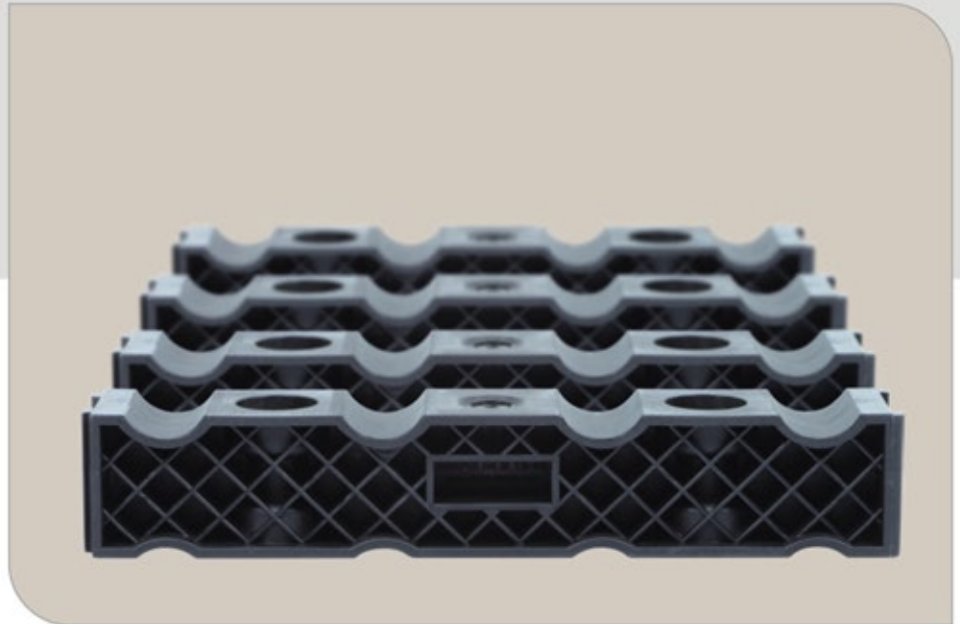
- » Resistant to short-circuit currents / forces up to 150 ka.
- » Resistant to oils, fats, aggressive chemicals, frost, heat, UV, ozone, salt, moisture, acids, and nuclear radiation.
- » Self-extinguishing V-0 (UL94), Halogen free.
- » Temperature range from -40 °C to 125°C. (225°C) momentarily
- » Coloured black.
- » No magnetism / conductivity.
- » Custom mounting available.
- » Fastening materials can be supplied to size.
- » No oxidation / corrosion.
- » No sharp angles.
- » Recyclable.
- » Lifetime warranty.
- » Very simple installation.
- » Available worldwide.
- » Stackable.
- » Certified in accordance with NEN-EN-IEC 61914:2009.





# AMROCK

"Do More With Less..."



IM Type 3x 12-32



IM Type 4x 12-32



IM Type 4x 32-48

## IM TYPES

**AMROCK IM cable blocks** are specially designed for short-circuit resistant and safe fastening of single or multicore medium and high voltage cables. IM types are available in 3 models and suitable for cables with a diameter from 12 mm to 32 mm and 32 mm to 48 mm. they can be coupled to each other laterally by means of a dovetail joint and are stackable.

**AMROCK IM cable blocks** are unique in their kind. The surfaces wherein the cables come to lie ensure perfect pressure distribution and maximum grip on the cables without sharp edges. In this way, there is no point load on the cables and the cables are not damaged. AMROCK IM cable blocks are manufactured from the highest quality glass fibre reinforced polyamide and are therefore ideally suited for installations where very high short circuit forces may occur.

The unique raw material used in manufacturing these cable clamps, makes them resistant to corrosion, ozone, frost, heat, oil, acids, salts, aggressive chemicals, UV and nuclear radiation. There is no reduction in force within temperatures from  $-40^{\circ}\text{C}$  to  $+125^{\circ}\text{C}$ . (momentarily  $225^{\circ}\text{C}$ ).

**AMROCK IM cable blocks** are used worldwide and are therefore available from stock. They can also be supplied with appropriate fastening material.



807, Safal Prelude, Corporate Road,  
Pralhad Nagar, Ahmedabad - 380015.  
T : +91 79 40098001 | F : +91-79 40098002

E : [info@amrock.in](mailto:info@amrock.in) | W : [www.amrock.in](http://www.amrock.in)

Certified in accordance with the NEN-ENIEC 61914:2009 international safety standard

#### The design

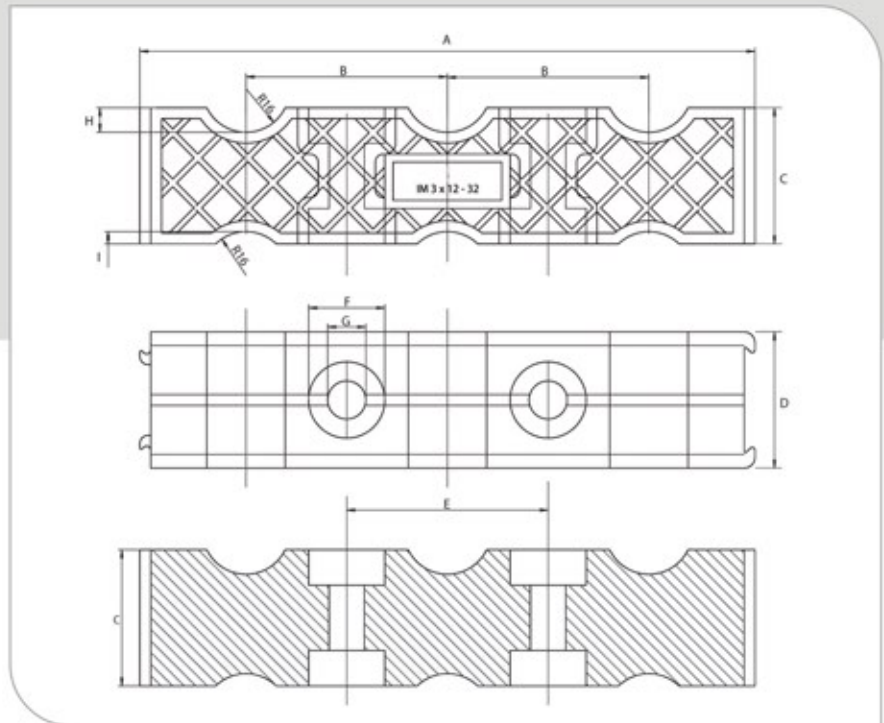
By way of the specific unique model, each type of cable clamp provides an exact fit for the required short-circuit resistant installation.

#### The raw material

AMROCK cable clamps are produced from high-quality virgin raw materials, with glass fibre reinforced polyamide as the main ingredient. These cable clamps are self extinguishing and halogen free.

#### Robustness

Owing to the unique design combined with the specific composition of the raw materials, these plastic cable clamps are among the strongest in the world. They are specially designed to withstand the enormous forces that occur during short circuiting and have been tested by various laboratories.



Dimensions in mm.

Type	A	B	C	D	E	F	G	H	I
IM 3 x 12-32	226	74	50	50	74	28	14	9	4,5
IM 4 x 12-32	280	74	50	50	147	28	14	9	4,5
IM 4 x 32-48	345	85	65	50	170	28	14	18	10

## ADVANTAGES

- » Resistant to gigantic short-circuit currents / forces.
- » Resistant to oils, fats, aggressive chemicals, frost, heat, UV, ozone, salt, moisture, acids, and nuclear radiation.
- » Self-extinguishing V-0 (UL94), Halogen free.
- » Temperature range from -40 °C to 125°C. (225°C momentarily)
- » Coloured black.
- » No magnetism / conductivity.
- » Custom mounting available.
- » Fastening materials can be supplied to size.
- » No oxidation / corrosion.
- » No sharp angles.
- » Recyclable
- » Lifetime warranty
- » Very simple installation.
- » Available worldwide.
- » Stackable
- » Certified in accordance with NEN-EN-IEC 61914:2009

